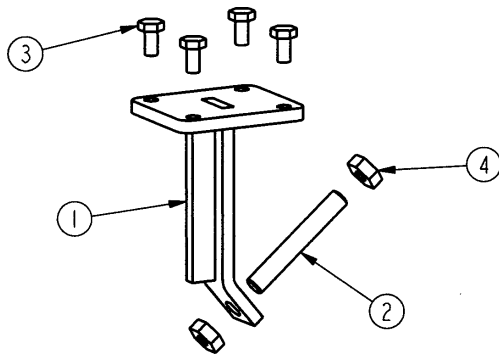


Minuteman® Sweep System Plus

Broom Limit Kit Installation Instructions

Description: This kit replaces the current broom adjustment mechanism on the Sweep System Plus. This kit limits the down travel of the main broom rather than applying down pressure.

Tools Required: 1 7/16" Drive Socket
1 Ratchet Wrench
1 10" Wrench Extension
2 9/16" Open End Wrenches



Parts List

Item	Part No.	Qty.	Description
1	383701	1	Broom Stop WMT
2	383710	1	Rod-Threaded 3/8-16 x 2-1/2
3	3400043	4	SCR-Hex 1/4-20 x .50 ZP
4	3400338	2	Nut 3/8-16 SS

Figure 1. K-3800PS-I Broom Limit Kit

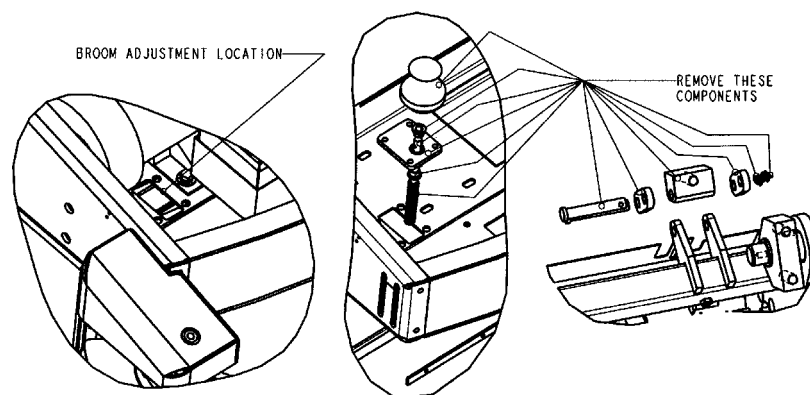


Figure 2. Presweep Components to be removed.

Broom Limit Kit Installation Instructions Con't

Assembly Procedure:

1. Remove Hopper and Lid
2. Remove all existing broom adjustment handle components, as shown in Figure 2.
3. Assemble one Threaded Rod (Item 2, Figure 1) and two 3/18-16 Nuts (Item 4, Figure 1) to Broom Stop WMT as shown in Figure 3. Do not fully tighten nuts.
4. Assemble Broom Limit Assy from previous step to Sweep System Plus using four 1/4 -20 Hex Bolts (Item 3, Figure 1) as shown in Figure 4.
5. Adjust location of Threaded Rod (Item 2, Figure 1) until Main Broom does not drag when Sweep System Plus is in "Up" position. Tighten positioning nuts (Item 4, Figure 1).

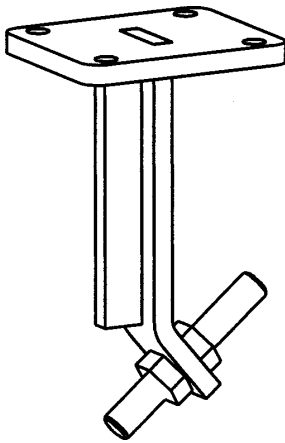


Figure 3. Broom Limit Bracket with Rod and Nuts Assembled

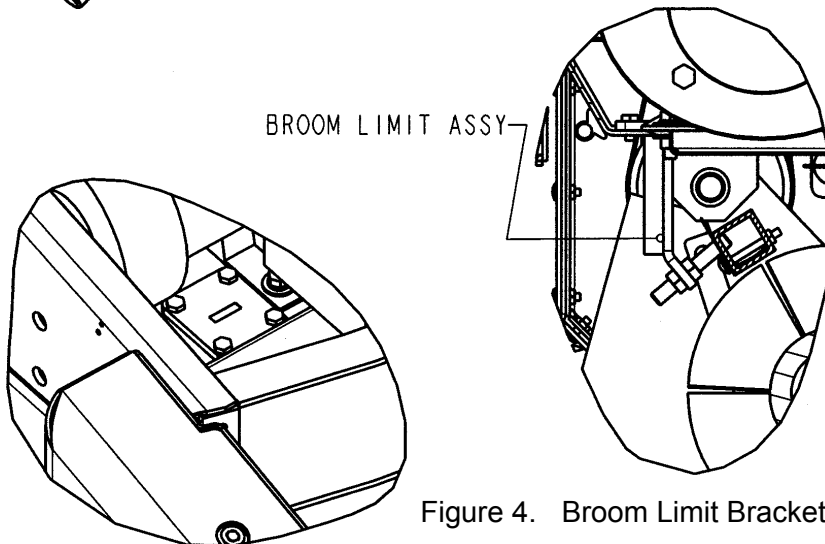


Figure 4. Broom Limit Bracket Assembled

Minuteman[®]

World Headquarters:

Minuteman International, Inc., 111 S. Rohlwing Rd, Addison, Illinois 60101, (630) 627-6900 FAX (630) 627-1130

Minuteman Canada, Inc., 2210 Drew Rd, Mississauga, Ontario L5S 1B1, (905) 673-3222 FAX (905) 673-5161